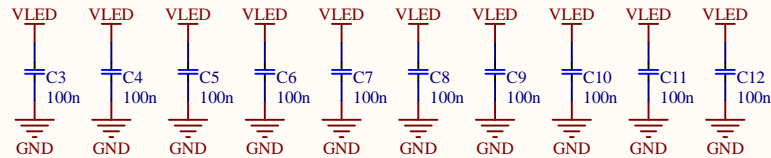
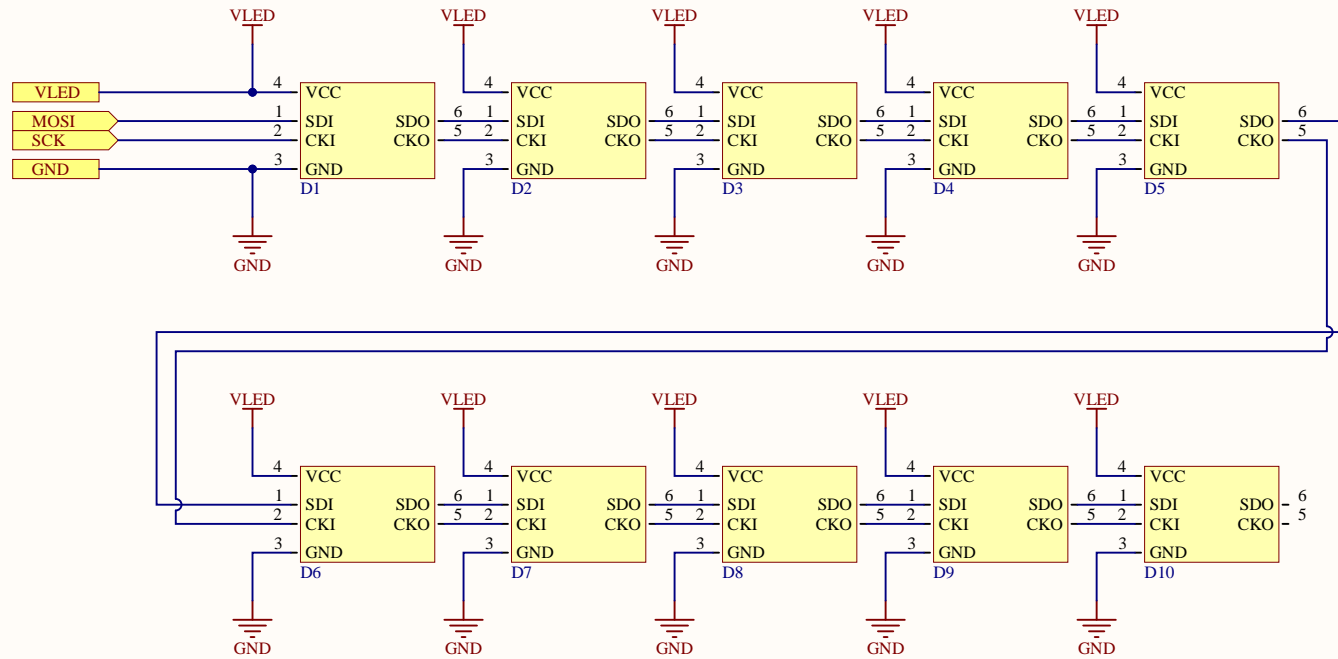
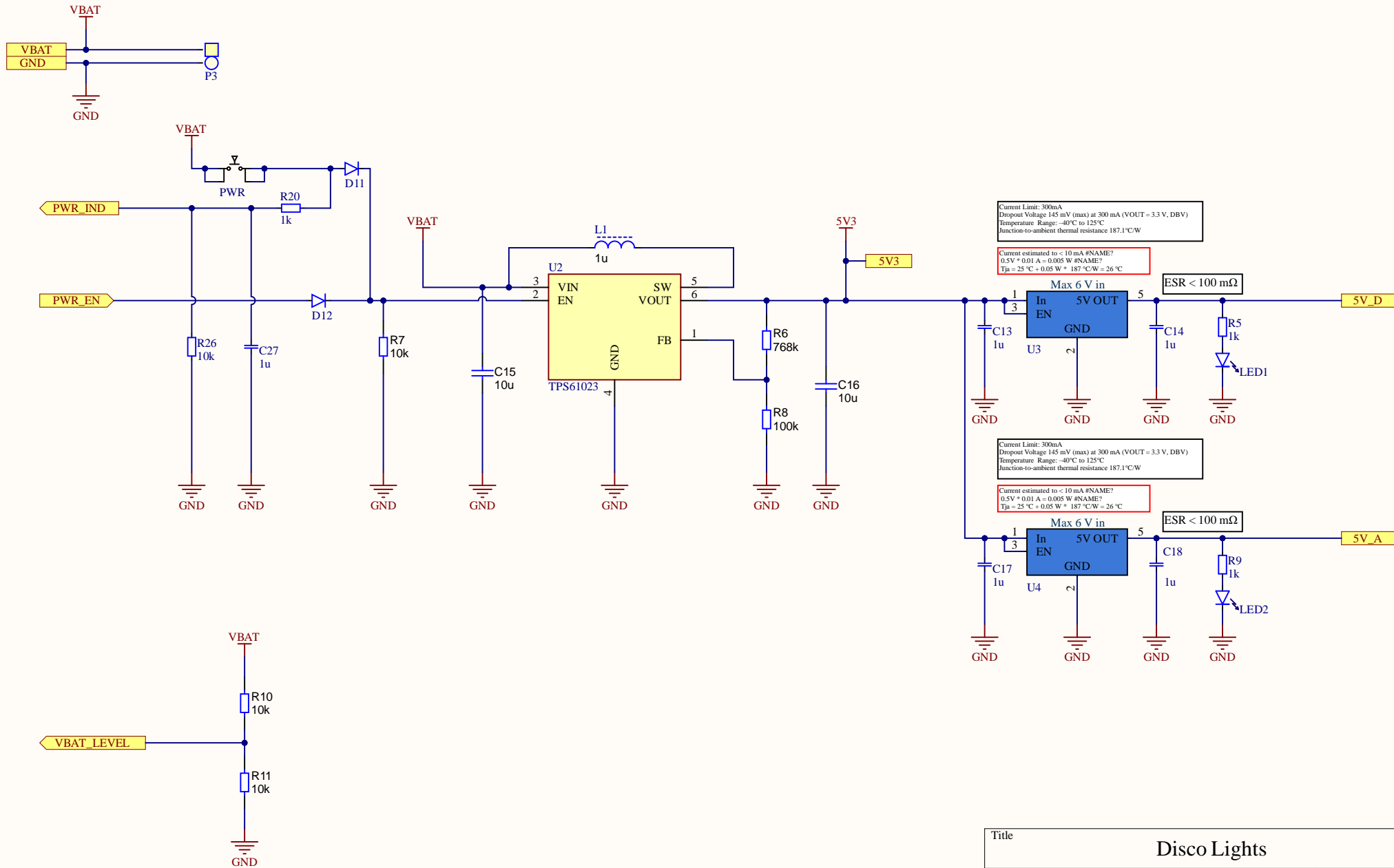


- DONE: silk on MCU
- Change to proper footprint, th caps
- DONE: Silkscreen to show orientation of the programmer header

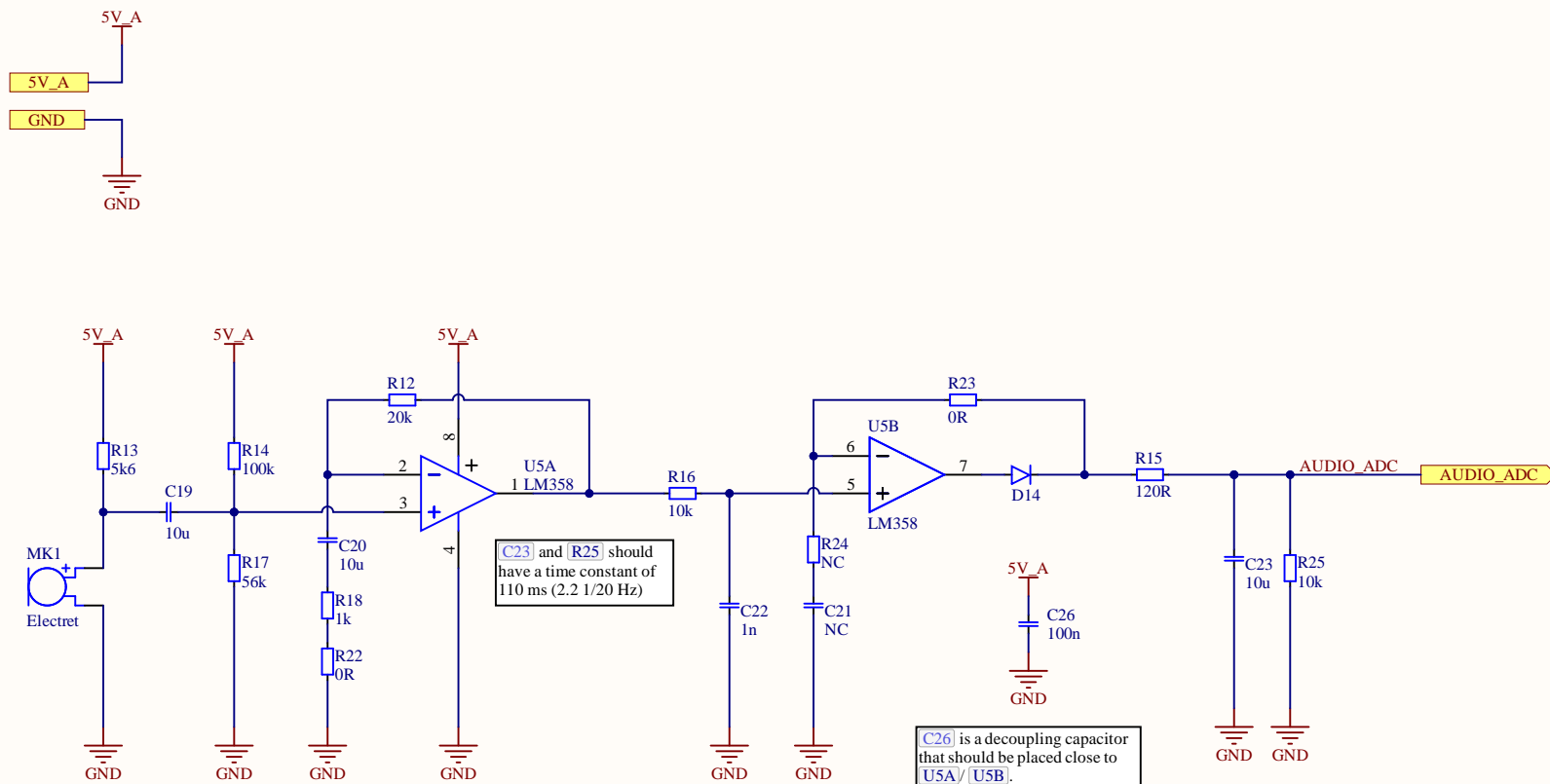
Title			Disco Lights		
Size	Number		Revision		
A					
Date:	2-02-2025		Sheet of		
File:	E:\dev\...\make_etc_great_again.SchDoc		Drawn By: JC		



Title			Disco Lights		
Size	Number		Revision		
A					
Date:	2-02-2025		Sheet of		
File:	E:\dev\...\sk9822.SchDoc		Drawn By: JC		



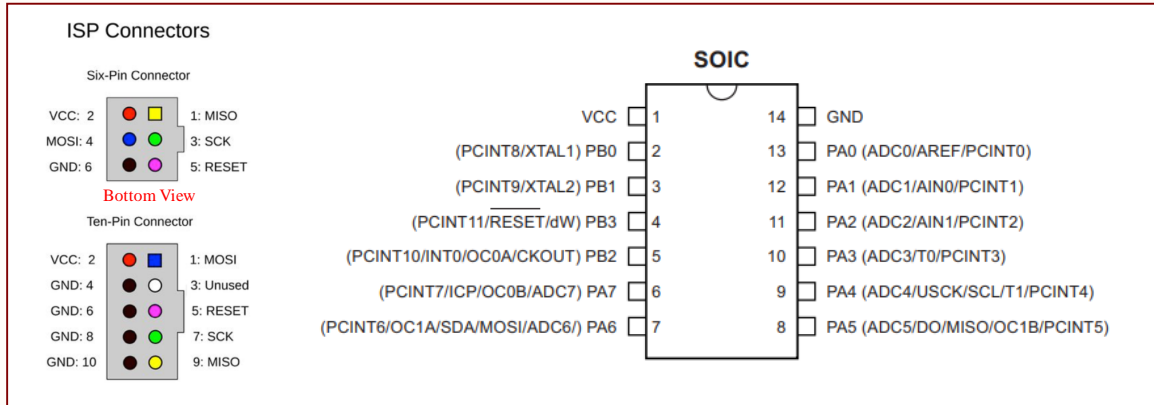
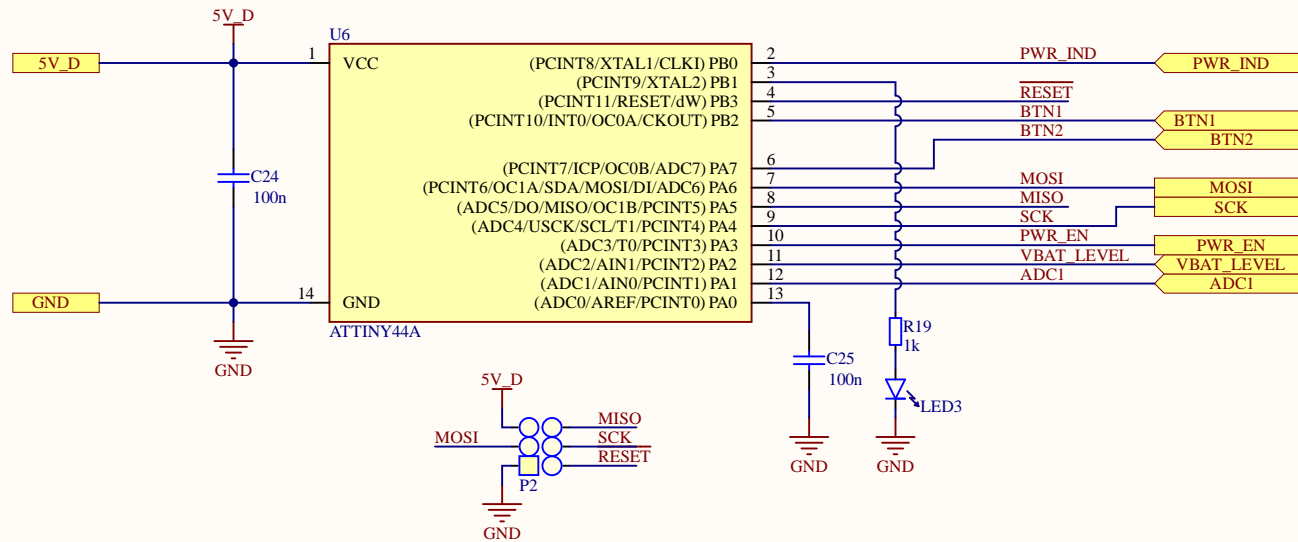
Title			Disco Lights		
Size	Number		Revision		
A4					
Date:	2-02-2025		Sheet of		
File:	E:\dev\...\etf_pwr.SchDoc		Drawn By: JC		



C23 and R25 should have a time constant of 110 ms (2.2 1/20 Hz)

C26 is a decoupling capacitor that should be placed close to U5A/ U5B.

Title			Disco Lights		
Size	Number		Revision		
A					
Date:	2-02-2025		Sheet of		
File:	E:\dev\...\audio.SchDoc		Drawn By: JC		



Title			<b>Disco Lights</b>		
Size	Number		Revision		
A4					
Date:	2-02-2025		Sheet of		
File:	E:\dev\...\mdu.SchDoc		Drawn By:		JC